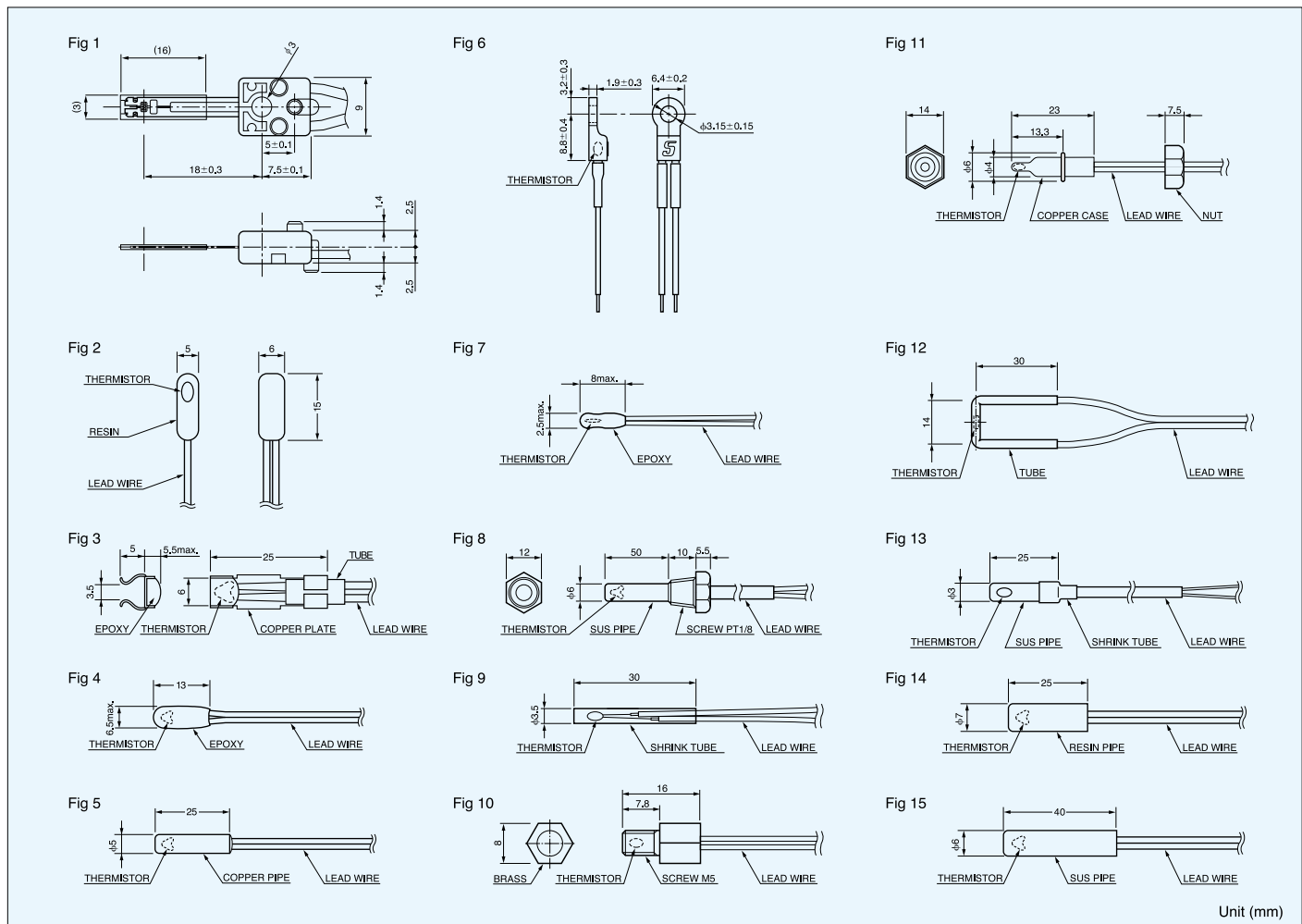


# TEMPERATURE SENSOR

The TEMPERATURE SENSOR is assembled one with various parts and thermistor devices according to the required applications. Its electric characteristics are the same as those of thermistor devices. Variable type of sensor can be utilized for detecting or controlling temperature because its operating temperature range is wide from  $-50$  to  $+300^{\circ}\text{C}$ . Standard TEMPERATURE SENSOR is available in accordance with the applications such as measurements of liquid, atmosphere and surface temperature.

## External dimensions



## Specifications

Fig	Thermal Time constant(s)			Dissipation factor (mW/°C) Approx.	Category temperature range (°C)	Application	Thermistor
	Air	Water	Heater				
1	-	-	1.0	0.3	$-20 \sim +230$	Surface temp. sensor for OA equipment.	FL
2	75	-	-	2.6	$-50 \sim +105$	Air temp. sensor for general use.	AT
3	40	-	-	4	$-30 \sim +105$	Surface temp. sensor for general use.	AT
4	70	-	-	5	$-30 \sim +110$	Air temp. sensor for air conditioner.	AT(ET)
5	166	-	-	3.7	$-30 \sim +110$	Air temp. sensor for air conditioner.	AT(ET)
6	80	-	-	3	$-40 \sim +110$	Surface temp. sensor for general use.	AT
7	10	-	-	2	$-50 \sim +90$	Surface temp. sensor for rechargeable battery.	AT
8	-	5	-	4.5	$-30 \sim +105$	Water (Oil) temp. sensor for general use.	AT(ET, GT)
9	-	3	-	1.1	$-50 \sim +200$	For general use.	BT
10	70	-	-	5	$-50 \sim +250$	Inner temp. sensor for general use.	GT(BT)
11	-	1.7	-	1.0	$-30 \sim +100$	Fast response water temp. sensor	ET
12	35	-	-	2.1	$-50 \sim +200$	Surface temp. sensor for cooker.	CT
13	85	-	-	1.1	$-30 \sim +100$	Air temp. sensor for general use.	ET
14	-	20	-	1.3	$-30 \sim +105$	For general use.	AT(ET)
15	260	-	-	2.6	$-30 \sim +105$	For general use.	AT(ET)